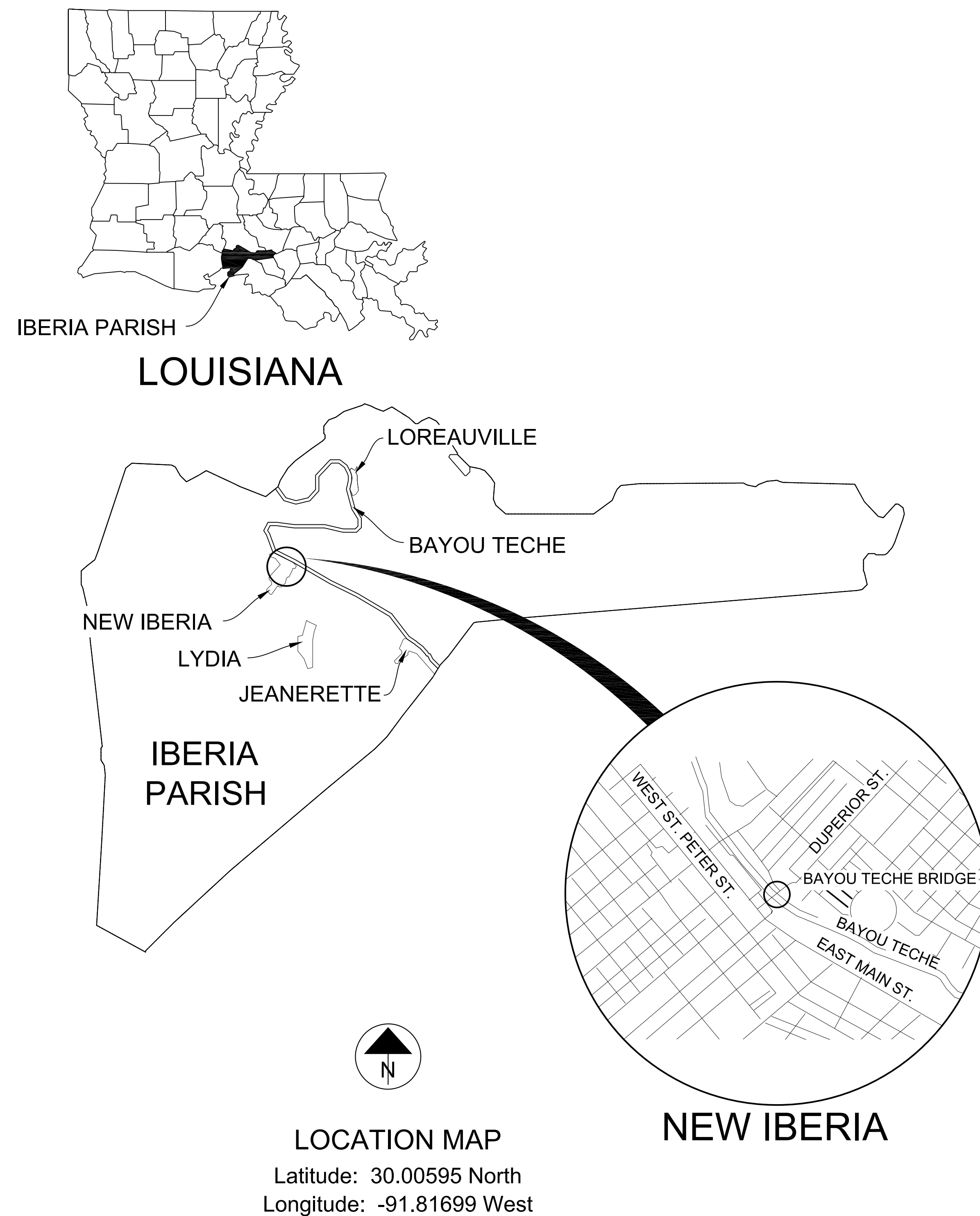


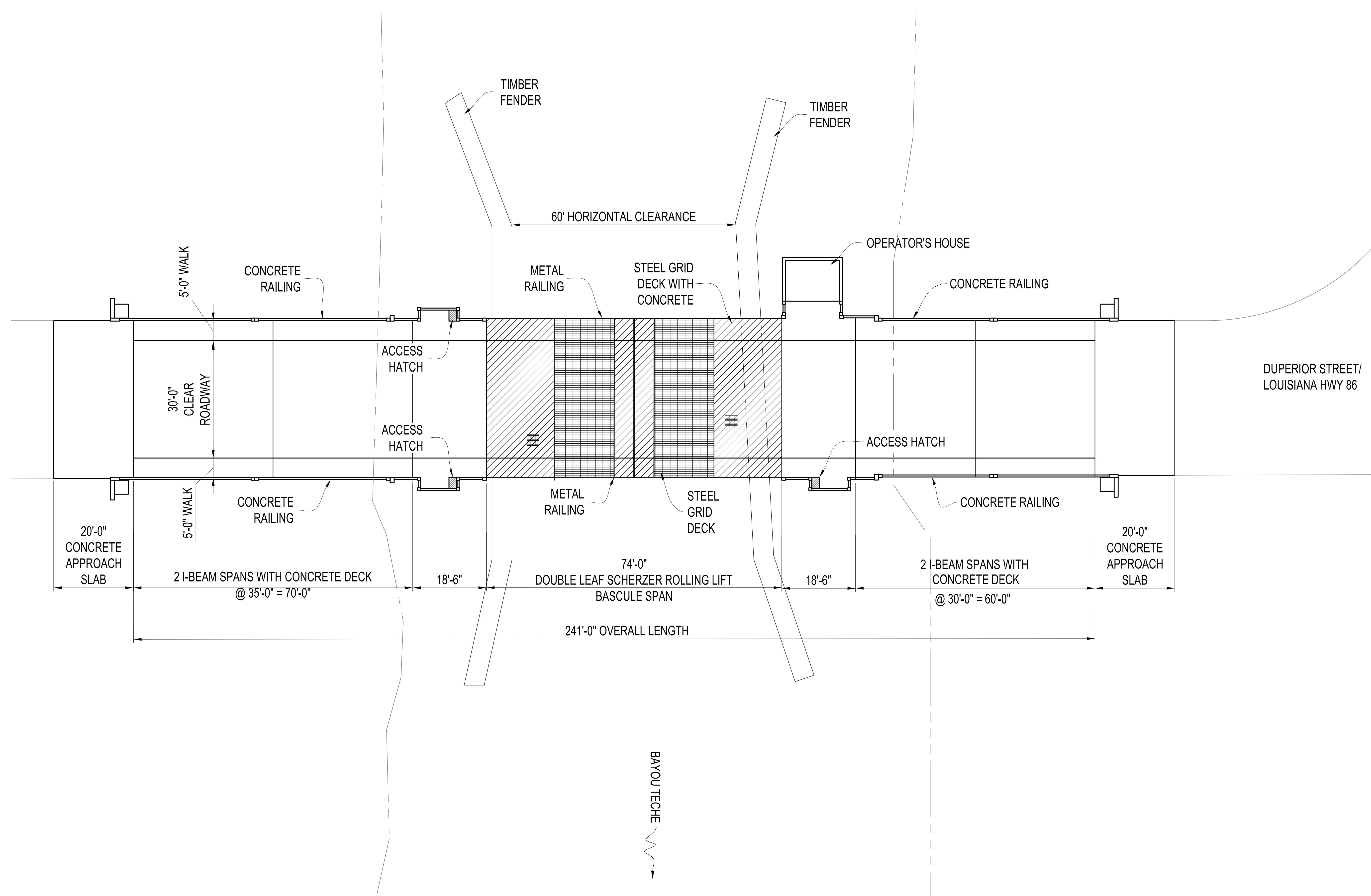
BAYOU TECHE BRIDGE



The Bayou Teche Bridge (Bridge Recall No. 005800), designed by the Louisiana Highway Commission and constructed in 1940, is a distinctive example of the bascule type. As a Scherzer-type, rolling-lift, bascule bridge its significance is demonstrated by the presence of distinctive engineering and design features of the rolling lift bascule bridge type, which is characterized by two opposing bascule leaves that roll to open. Each leaf is balanced by a rear counterweight that descends as each leaf rolls and lifts. This bridge was determined eligible for listing in the National Register of Historic Places in 2013 under *criterion c: design/engineering* at the state level of significance.

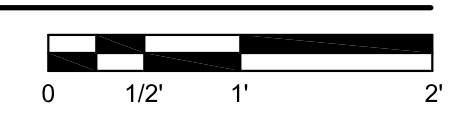
This documentation was prepared to fulfill Stipulation IX.5 of the Programmatic Agreement Among the Federal Highway Administration, the Louisiana Department of Transportation and Development, the Advisory Council on Historic Preservation, and the Louisiana State Historic Preservation Officer Regarding Management of Historic Bridges in Louisiana, dated August 18, 2015 and executed September 21, 2015. The Louisiana Department of Transportation and Development (LADOTD) retained Mead & Hunt to prepare this document. It was prepared by Katie Ohland, Cultural Resource Specialist, and Justin Duffie, Design Technician, of Mead & Hunt. Dietrich Floeter completed the photography.

The measured drawings were prepared based on a site visit to the bridge to confirm as-built plans and perform selective hand measuring in the field to verify measurements.



BAYOU TECHE

PLAN NORTH
PLAN VIEW



DELINEATED BY: J. DUFFIE, MEAD & HUNT, INC., 2017

LOUISIANA HISTORIC
BRIDGE INVENTORY
NATIONAL PARK SERVICE
UNITED STATES DEPARTMENT OF THE INTERIOR

NEW IBERIA

BAYOU TECHE BRIDGE
CARRIES LOUISIANA HIGHWAY 86 (LA 86) OVER BAYOU TECHE
IBERIA PARISH

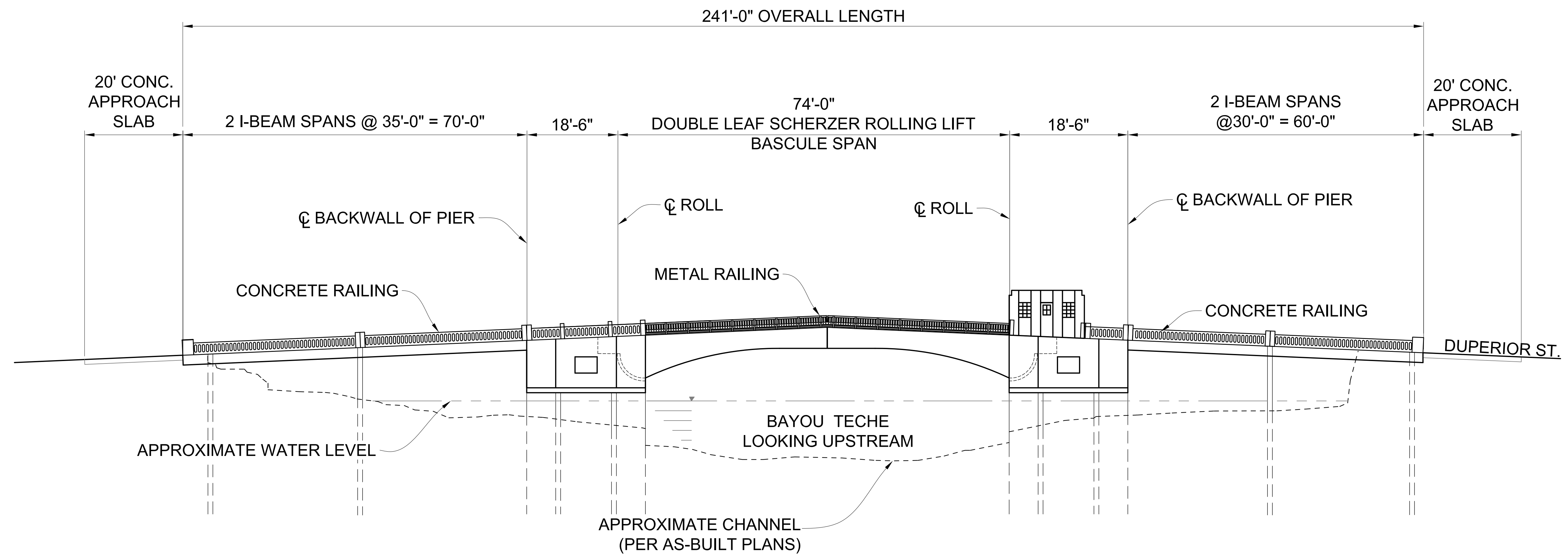
LOUISIANA

SHEET
2 OF 4

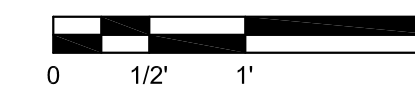
HISTORIC AMERICAN
ENGINEERING RECORD
LA-29

LIBRARY OF CONGRESS
INDEX NUMBER

IF REPRODUCED, PLEASE CREDIT THE HISTORIC AMERICAN ENGINEERING RECORD, NATIONAL PARK SERVICE, NAME OF DELINEATOR, DATE OF DRAWING



ELEVATION - NORTHWEST
LOOKING UPSTREAM



DELINEATED BY: J. DUFFIE, MEAD & HUNT, INC., 2017

LOUISIANA HISTORIC
BRIDGE INVENTORY
NATIONAL PARK SERVICE
UNITED STATES DEPARTMENT OF THE INTERIOR

NEW IBERIA

BAYOU TECHE BRIDGE
CARRIES LOUISIANA HIGHWAY 86 (LA 86) OVER BAYOU TECHE
IBERIA PARISH

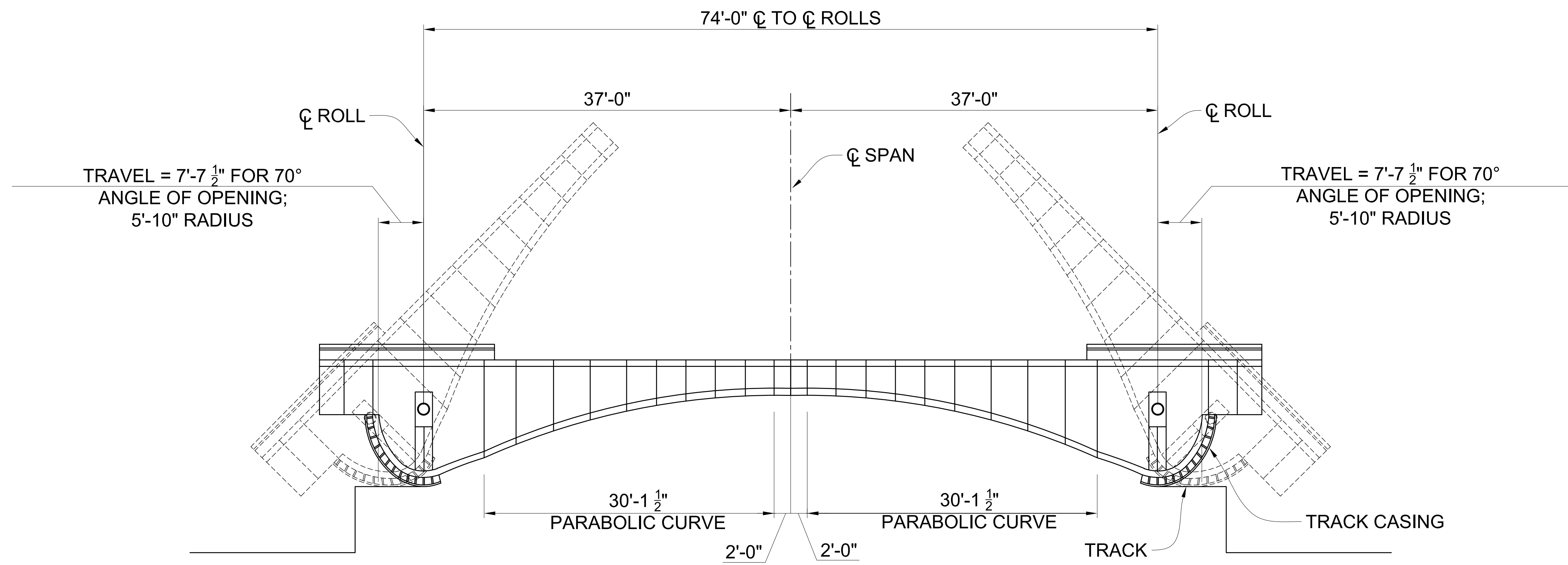
LOUISIANA

SHEET
3 OF 4

HISTORIC AMERICAN
ENGINEERING RECORD
LA-29

LIBRARY OF CONGRESS
INDEX NUMBER

IF REPRODUCED, PLEASE CREDIT THE HISTORIC AMERICAN ENGINEERING RECORD, NATIONAL PARK SERVICE, NAME OF DELINEATOR, DATE OF DRAWING



BASCULE SPAN DETAILS



DELINEATED BY: J. DUFFIE, MEAD & HUNT, INC., 2017

LOUISIANA HISTORIC
BRIDGE INVENTORY
NATIONAL PARK SERVICE
UNITED STATES DEPARTMENT OF THE INTERIOR

NEW IBERIA

BAYOU TECHE BRIDGE
CARRIES LOUISIANA HIGHWAY 86 (LA 86) OVER BAYOU TECHE
IBERIA PARISH

LOUISIANA

SHEET
4 OF 4

HISTORIC AMERICAN
ENGINEERING RECORD
LA-29

LIBRARY OF CONGRESS
INDEX NUMBER

IF REPRODUCED, PLEASE CREDIT THE HISTORIC AMERICAN ENGINEERING RECORD, NATIONAL PARK SERVICE, NAME OF DELINEATOR, DATE OF DRAWING